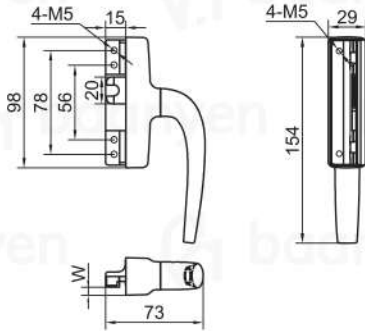


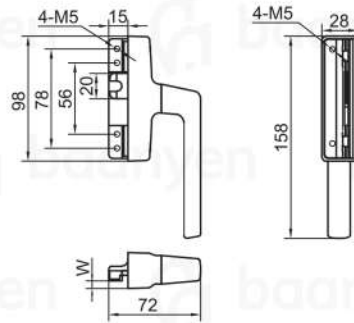
Handle Series : Awning Windows

K218A/ I (W= 8.2)
K218A/ II (W= 4.5)



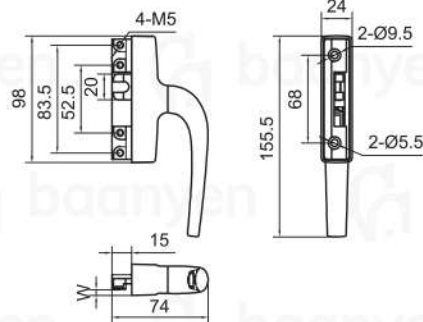
-Open Out
-Left & Right

K220A/ I (W= 8.2)
K220A/ II (W= 4.5)



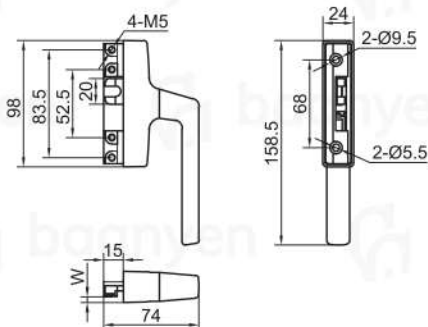
-Open Out
-Left & Right

K318 (W= 4.5)
K318/ II (W= 3.0)



-Open Out
-Left & Right

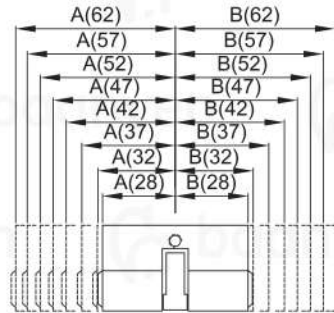
K320 (W= 4.5)
K320/ II (W= 3.0)



-Open Out
-Left & Right

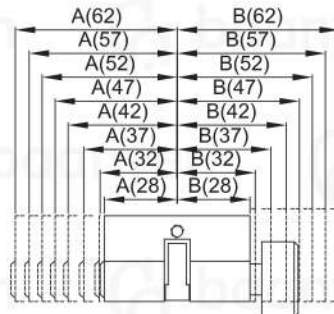
Door Cylinder Series

KILAB



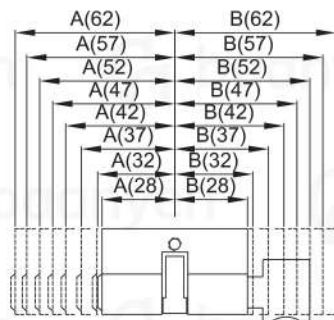
A : Length from outside to center
B : Length from inside to center

KILAB/T

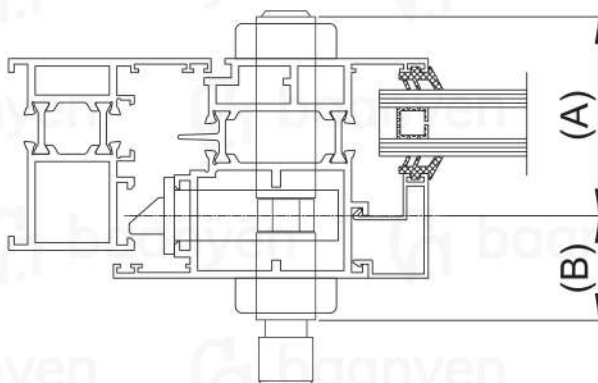


A : Length between key & cylinder center
B : Length between knob & cylinder center

KILAB/H



A : Length between key & cylinder center
B : Length between knob & cylinder center



Configuration Introduction

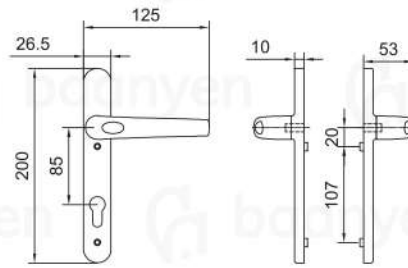
According to the left drawing to confirm the length of A and B when select the cylinder :

A : Length between key & cylinder center

B : Length between knob & cylinder center

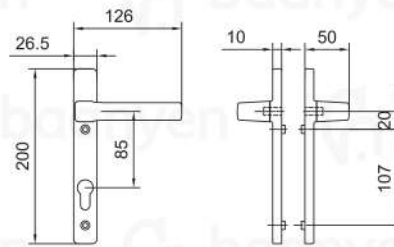
Door Handle Series : Casement Door

MZS 208



-Left & Right
-The embedded depth of spindle is 15-20 mm.

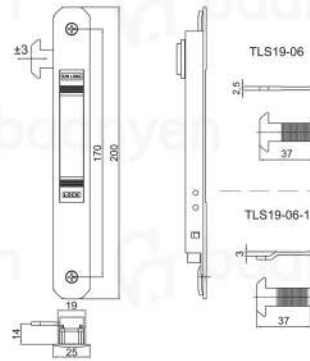
MZS 220



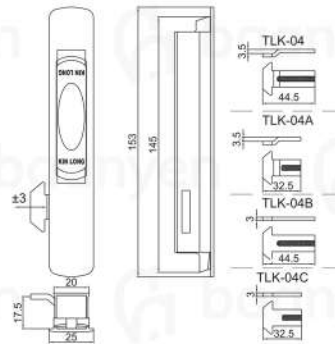
-Left & Right
-The embedded depth of spindle is 15-20 mm.

Window Lock Series : Sliding Window

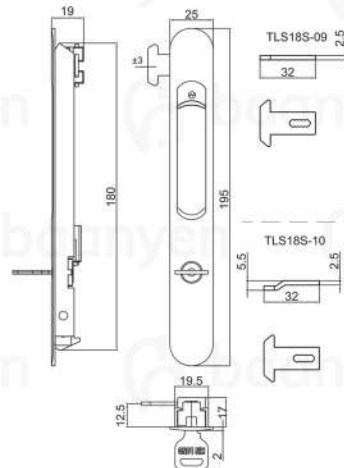
TLS04/TLS04K



TLS09



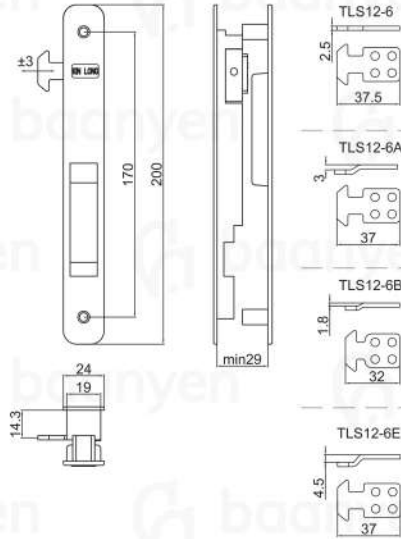
TLS18S



- Master Key

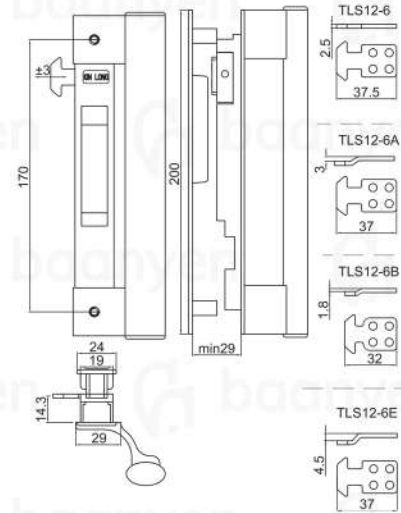
Door Lock Series : Sliding Door

TLS12H



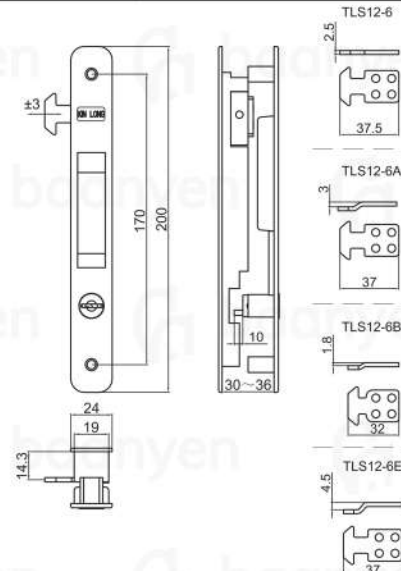
- Select screw according to the profile thickness

TLS12HL



- Select screw according to the profile thickness

TLS12HS



- Select screw according to the profile thickness
- One key : one door